

SERIES 150 FLANGE

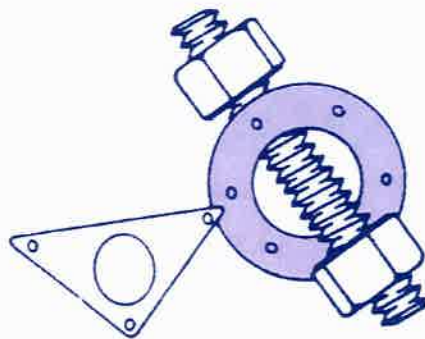
| Pipe Size | Wrench Size | Flange Bolts | | Raised Face | | | Flange Dia. | Ring Joint | |
|-----------|-------------|--------------|-------|-------------|--------|--------|-------------|------------|----------|
| | | Quan. | Size | Stud L'gth | Gasket | | | Stud L'gth | Ring No. |
| | | | | | I.D. | O.D. | | | |
| 1 | 7/8 | 4 | 1/2 | 2 3/4 | 1 | 2 5/8 | 4 1/4 | 3 | R15 |
| 1 1/2 | 7/8 | 4 | 1/2 | 3 | 1 1/2 | 3 3/8 | 5 | 3 1/4 | R19 |
| 2 | 1 1/16 | 4 | 5/8 | 3 1/4 | 2 | 4 1/8 | 6 | 3 3/4 | R22 |
| 3 | 1 1/16 | 4 | 5/8 | 3 3/4 | 3 | 5 3/8 | 7 1/2 | 4 1/4 | R29 |
| 4 | 1 1/16 | 8 | 5/8 | 3 3/4 | 4 | 6 7/8 | 9 | 4 1/4 | R36 |
| 6 | 1 1/4 | 8 | 3/4 | 4 | 6 | 8 3/4 | 11 | 4 1/2 | R43 |
| 8 | 1 1/4 | 8 | 3/4 | 4 1/4 | 8 | 11 | 13 1/2 | 4 3/4 | R48 |
| 10 | 1 7/16 | 12 | 7/8 | 4 3/4 | 10 | 13 3/8 | 16 | 5 1/4 | R52 |
| 12 | 1 7/16 | 12 | 7/8 | 4 3/4 | 12 | 16 1/8 | 19 | 5 1/2 | R56 |
| 14 | 1 5/8 | 12 | 1 | 5 1/4 | 14 | 17 3/4 | 21 | 6 | R59 |
| 16 | 1 5/8 | 16 | 1 | 5 1/2 | 16 | 20 1/4 | 23 1/2 | 6 | R64 |
| 18 | 1 13/16 | 16 | 1 1/8 | 6 | 18 | 21 5/8 | 25 | 6 1/2 | R68 |
| 20 | 1 13/16 | 20 | 1 1/8 | 6 1/4 | 20 | 23 7/8 | 27 1/2 | 7 | R72 |
| 24 | 2 | 20 | 1 1/4 | 7 | 24 | 28 1/4 | 32 | 7 3/4 | R76 |

SERIES 300 FLANGE

| Pipe Size | Wrench Size | Flange Bolts | | Raised Face | | | Flange Dia. | Ring Joint | |
|-----------|-------------|--------------|-------|-------------|--------|--------|-------------|------------|----------|
| | | Quan. | Size | Stud L'gth | Gasket | | | Stud L'gth | Ring No. |
| | | | | | I.D. | O.D. | | | |
| 1 | 1 1/16 | 4 | 5/8 | 3 1/4 | 1 | 2 7/8 | 4 7/8 | 3 1/4 | R16 |
| 1 1/2 | 1 1/4 | 4 | 3/4 | 3 1/2 | 1 1/2 | 3 3/4 | 6 1/8 | 4 | R20 |
| 2 | 1 1/16 | 8 | 5/8 | 3 1/2 | 2 | 4 3/8 | 6 1/2 | 4 1/4 | R23 |
| 3 | 1 1/4 | 8 | 3/4 | 4 1/4 | 3 | 5 7/8 | 8 1/4 | 5 | R31 |
| 4 | 1 1/4 | 8 | 3/4 | 4 1/2 | 4 | 7 1/8 | 10 | 5 1/4 | R37 |
| 6 | 1 1/4 | 12 | 3/4 | 5 | 6 | 9 7/8 | 12 1/2 | 5 3/4 | R45 |
| 8 | 1 7/16 | 12 | 7/8 | 5 1/2 | 8 | 12 1/8 | 15 | 6 1/4 | R49 |
| 10 | 1 5/8 | 16 | 1 | 6 1/4 | 10 | 14 1/4 | 17 1/2 | 7 1/4 | R53 |
| 12 | 1 13/16 | 16 | 1 1/8 | 6 3/4 | 12 | 16 5/8 | 20 1/2 | 7 1/2 | R57 |
| 14 | 1 13/16 | 20 | 1 1/8 | 7 | 13 1/4 | 19 1/8 | 23 | 7 3/4 | R61 |
| 16 | 2 | 20 | 1 1/4 | 7 1/2 | 15 1/4 | 21 1/4 | 25 1/2 | 8 1/2 | R65 |
| 18 | 2 | 24 | 1 1/4 | 7 3/4 | 17 | 23 1/2 | 28 | 8 1/4 | R69 |
| 20 | 2 | 24 | 1 1/4 | 8 1/4 | 19 | 25 3/4 | 30 1/2 | 9 1/4 | R73 |
| 24 | 2 3/8 | 24 | 1 1/2 | 9 1/4 | 23 | 30 1/2 | 36 | 10 1/4 | R77 |

CORPUS CHRISTI GASKET & FASTENER

341 WESTCHESTER • P.O. BOX 4074 • CORPUS CHRISTI, TX. 78469



“FOR ALL YOUR GASKET & THREADED FASTENER NEEDS”

PHONE (361) 884-6366 • 1-800-460-6366 • FAX (361) 884-0695

SERIES 600 FLANGE

| Pipe Size | Wrench Size | Flange Bolts | | Raised Face | | | Flange Dia. | Ring Joint | |
|-----------|-------------|--------------|-------|-------------|--------|--------|-------------|------------|----------|
| | | Quan. | Size | Stud L'gth | Gasket | | | Stud L'gth | Ring No. |
| | | | | | I.D. | O.D. | | | |
| 1 | 1 1/16 | 4 | 5/8 | 3 3/4 | 1 | 2 7/8 | 4 7/8 | 3 1/2 | R16 |
| 1 1/2 | 1 1/4 | 4 | 3/4 | 4 1/4 | 1 1/2 | 3 3/4 | 6 1/8 | 4 1/4 | R20 |
| 2 | 1 1/16 | 8 | 5/8 | 4 1/4 | 2 | 4 3/8 | 6 1/2 | 4 1/2 | R23 |
| 3 | 1 1/4 | 8 | 3/4 | 5 | 3 | 5 7/8 | 8 1/4 | 5 1/4 | R31 |
| 4 | 1 7/16 | 8 | 7/8 | 5 3/4 | 4 | 7 5/8 | 10 3/4 | 6 | R37 |
| 6 | 1 5/8 | 12 | 1 | 6 3/4 | 6 | 10 1/2 | 14 | 7 | R45 |
| 8 | 1 13/16 | 12 | 1 1/8 | 7 3/4 | 7 7/8 | 12 5/8 | 16 1/2 | 8 | R49 |
| 10 | 2 | 16 | 1 1/4 | 8 1/2 | 9 3/4 | 15 3/4 | 20 | 8 3/4 | R53 |
| 12 | 2 | 20 | 1 1/4 | 8 3/4 | 11 3/4 | 18 | 22 | 9 | R57 |
| 14 | 2 3/16 | 20 | 1 3/8 | 9 1/4 | 12 7/8 | 19 3/8 | 23 3/4 | 9 1/2 | R61 |
| 16 | 2 3/8 | 20 | 1 1/2 | 10 | 14 3/4 | 22 1/4 | 27 | 10 1/4 | R65 |
| 18 | 2 9/16 | 20 | 1 5/8 | 10 3/4 | 16 1/2 | 24 1/8 | 29 1/4 | 11 | R69 |
| 20 | 2 9/16 | 24 | 1 5/8 | 11 1/2 | 18 1/4 | 26 7/8 | 32 | 11 3/4 | R73 |
| 24 | 2 15/16 | 24 | 1 7/8 | 13 | 22 | 31 1/8 | 37 | 13 1/2 | R77 |

SERIES 900 FLANGE

| Pipe Size | Wrench Size | Flange Bolts | | Raised Face | | | Flange Dia. | Ring Joint | |
|-----------|-------------|--------------|-------|-------------|--------|--------|-------------|------------|----------|
| | | Quan. | Size | Stud L'gth | Gasket | | | Stud L'gth | Ring No. |
| | | | | | I.D. | O.D. | | | |
| 1 | 1 7/16 | 4 | 7/8 | 5 | 7/8 | 3 1/8 | 5 7/8 | 5 | R16 |
| 1 1/2 | 1 5/8 | 4 | 1 | 5 1/2 | 1 3/8 | 3 7/8 | 7 | 5 1/2 | R20 |
| 2 | 1 7/16 | 8 | 7/8 | 5 3/4 | 1 7/8 | 5 5/8 | 8 1/2 | 6 | R24 |
| 3 | 1 7/16 | 8 | 7/8 | 5 3/4 | 2 7/8 | 6 5/8 | 9 1/2 | 6 | R31 |
| 4 | 1 13/16 | 8 | 1 1/8 | 6 3/4 | 3 7/8 | 8 1/8 | 11 1/2 | 7 | R37 |
| 6 | 1 13/16 | 12 | 1 1/8 | 7 3/4 | 5 3/4 | 11 3/8 | 15 | 8 | R45 |
| 8 | 2 3/16 | 12 | 1 3/8 | 8 3/4 | 7 1/2 | 14 1/8 | 18 1/2 | 9 | R49 |
| 10 | 2 3/16 | 16 | 1 3/8 | 9 1/4 | 9 3/8 | 17 1/8 | 21 1/2 | 9 1/2 | R53 |
| 12 | 2 3/16 | 20 | 1 3/8 | 10 | 11 1/8 | 19 5/8 | 24 | 10 1/4 | R57 |
| 14 | 2 3/8 | 20 | 1 1/2 | 10 3/4 | 12 1/4 | 20 1/2 | 25 1/4 | 11 1/4 | R62 |
| 16 | 2 9/16 | 20 | 1 5/8 | 11 1/4 | 14 | 22 5/8 | 27 3/4 | 11 3/4 | R66 |
| 18 | 2 15/16 | 20 | 1 7/8 | 13 | 15 3/4 | 25 1/8 | 31 | 13 1/2 | R70 |
| 20 | 3 1/8 | 20 | 2 | 13 3/4 | 17 1/2 | 27 1/8 | 33 3/4 | 14 1/2 | R74 |
| 24 | 3 7/8 | 20 | 2 1/2 | 17 1/4 | 21 | 33 | 41 | 18 1/4 | R78 |